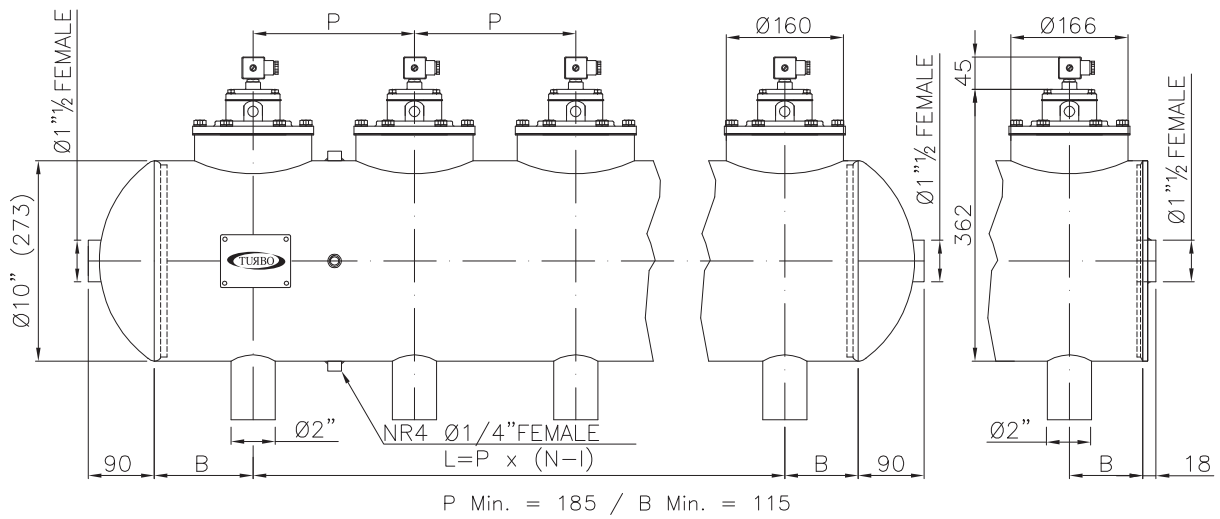


INTEGRAL Series dn 10" with valves 2"

10"

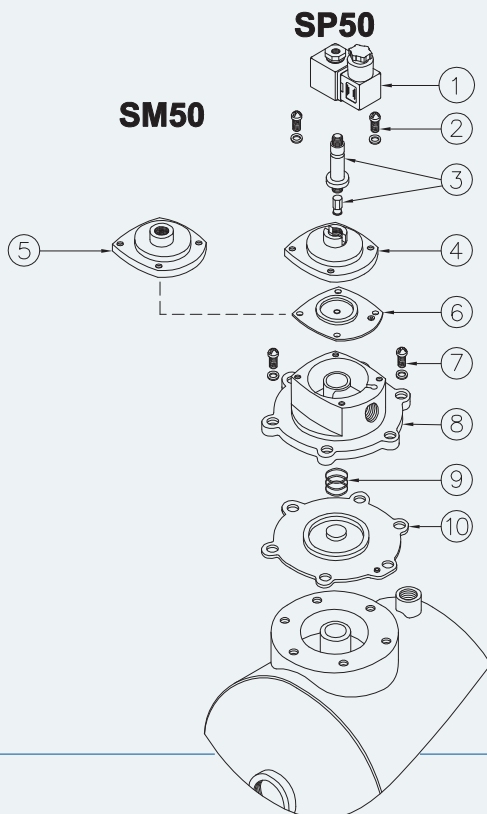
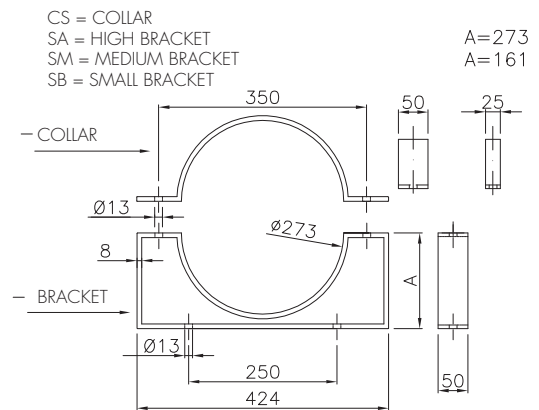


DESCRIPTION

VALVE SM50/SP50

1	Coil + Din connector	BH10...V/50-60Hz
2	Screws + Washer	VTE6x20+VROS6
3	Pole assembly	GPC 10
4	Cover	TCOP 25
5	Remote operated cover	TCOP 25FM
6	Diaphragm	M25
7	Screws + Washer	VTE10x25+VROS10
8	Cover	TCOP50
9	Spring	TMOL40
10	Main diaphragm	M50

BRACKETS



- SHORT PLAIN TUBE = G1
- LONG PLAIN TUBE = G2
- THREADED LONG TUBE = G3
- THREADED SHORT TUBE = G4

2"

