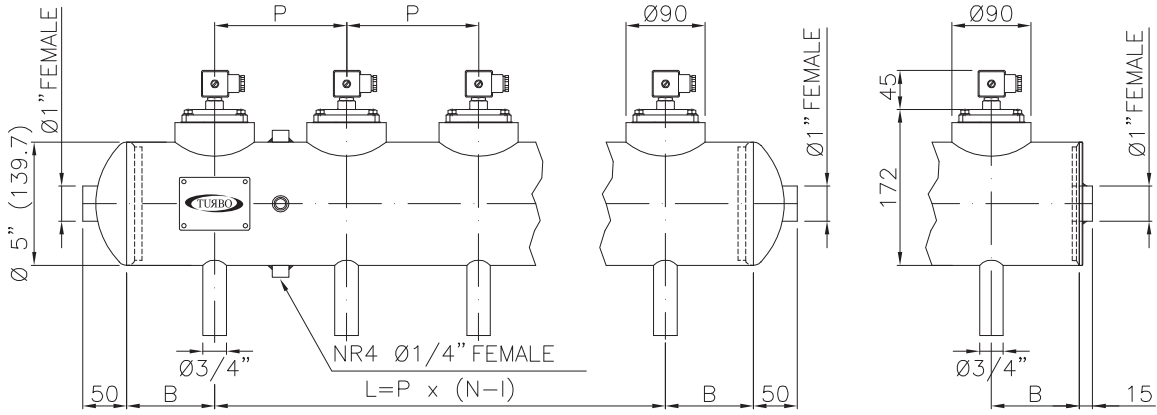


5" INTEGRAL Series dn 5" with valves 3/4"

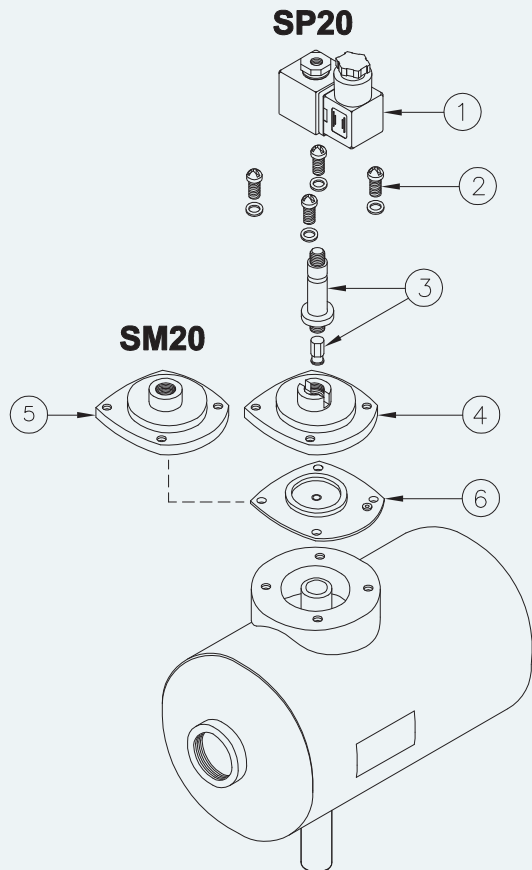


P Min. = 120 / B Min. = 90

DESCRIPTION

VALVE SM20/SP20

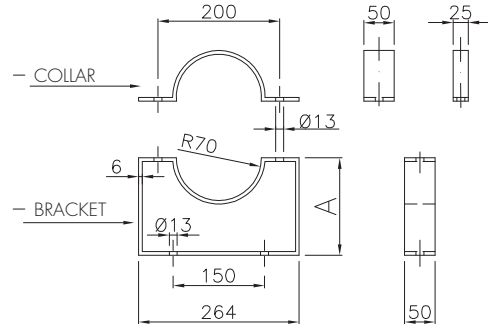
1	Coil + Din connector	BH10...V/50-60Hz
2	Screws + Whasher	TE6x18+VROS6
3	Pole assembly	GPC 10
4	Cover	TCOP 25
5	Cover remote operated	TCOP25FM
6	Diaphragm	M25



BRACKETS

CS = COLLAR
 SA = HIGH BRACKET
 SM = MEDIUM BRACKET
 SB = SMALL BRACKET

A=180
 A=160
 A=95



SHORT PLAIN TUBE = G1
 LONG PLAIN TUBE = G2
 THREADED LONG TUBE = G3
 THREADED SHORT TUBE = G4

3/4"

