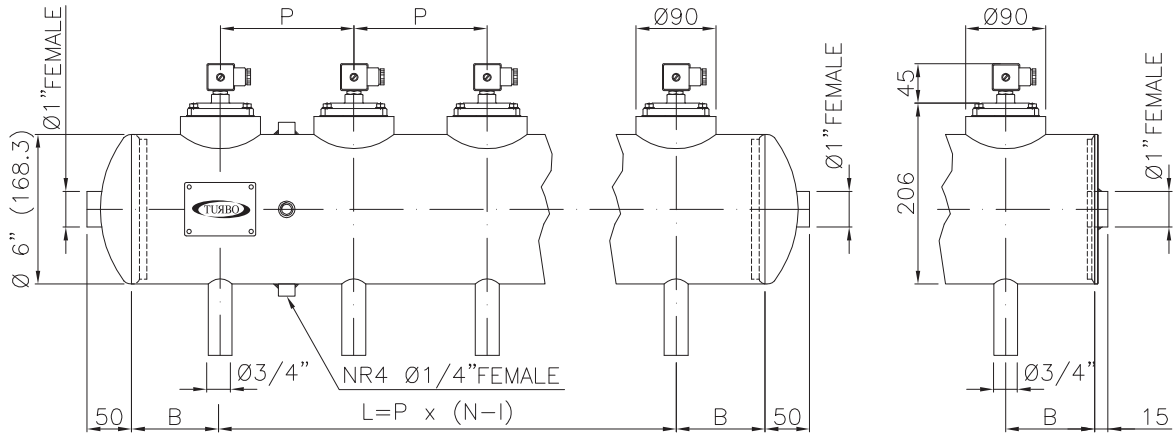


INTEGRAL Series dn 6" with valves 3/4"

6"

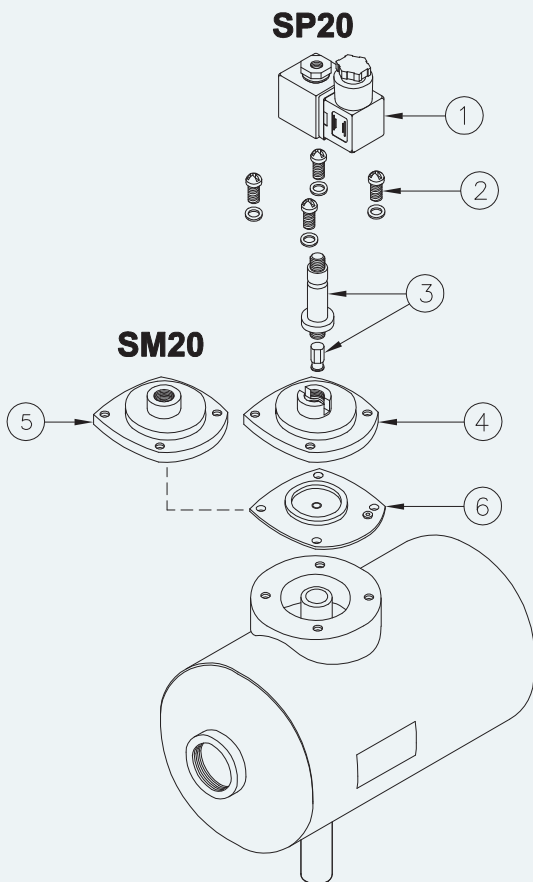


P Min. = 120 / B Min. = 90

DESCRIPTION

VALVE SM20/SP20

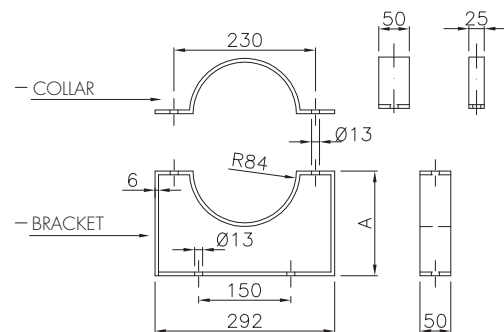
1	Coil + Din connector	BH10...V/50-60Hz
2	Screws + Washer	TE6x18+VROS6
3	Pole assembly	GPC 10
4	Cover	TCOP 25
5	Remote operated cover	TCOP25FM
6	Diaphragm	M25



BRACKETS

CS = COLLAR
 SA = HIGH BRACKET
 SM = MEDIUM BRACKET
 SB = SMALL BRACKET

A=200
 A=170
 A=109



SHORT PLAIN TUBE = G1
 LONG PLAIN TUBE = G2
 THREADED LONG TUBE = G3
 THREADED SHORT TUBE = G4

