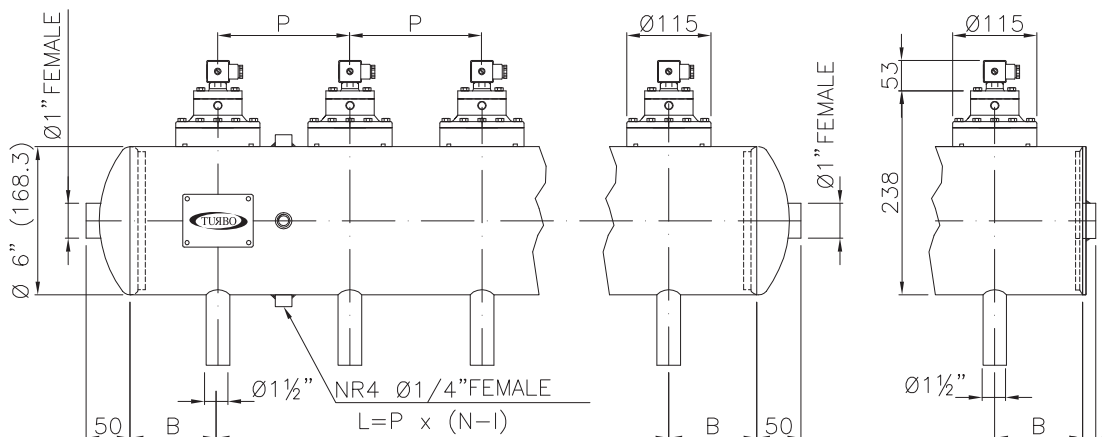


INTEGRAL Series dn 6" with valves 1 1/2"

6"



P Min. = 130 / B Min. = 100

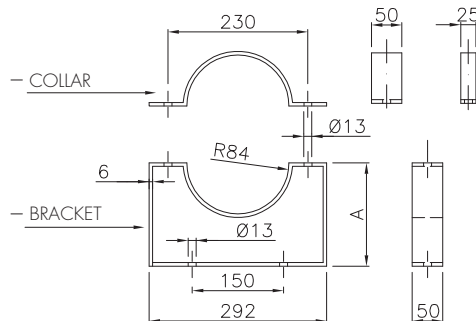
DESCRIPTION

VALVE SM35/SP35

1	Coil + Din connector	BH10...V/50-60Hz
2	Screws + Washer	VTE6x20+VROS6
3	Pole assembly	GPC 10
4	Cover	TCOP 10
5	Remote operated cover	TCOP10FM
6	Spring	TMOL10GNEW
7	Diaphragm	M10
8	Screws + Washer	VTE8x20+VROS8
9	Cover	TCOP35N
10	Spring	TMOL40/45G
11	Main diaphragm	M35-S

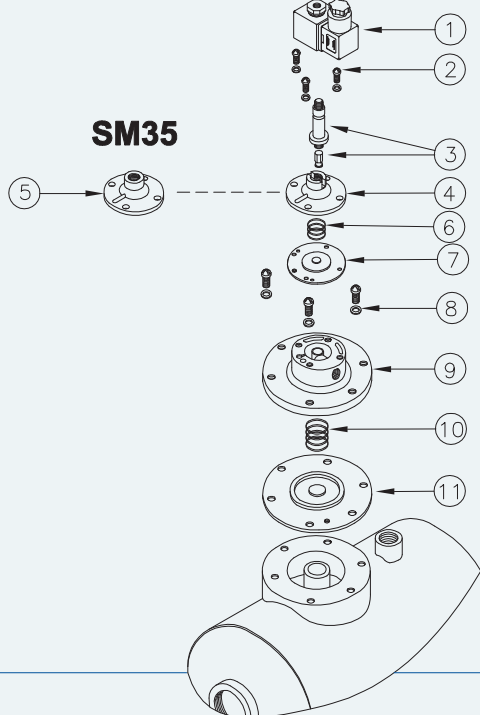
BRACKETS

CS = COLLAR
 SA = HIGH BRACKET A=200
 SM = MEDIUM BRACKET A=170
 SB = SMALL BRACKET A=109



SP35

SM35



SHORT PLAIN TUBE = G1
 LONG PLAIN TUBE = G2
 THREADED LONG TUBE = G3
 THREADED SHORT TUBE = G4

1 1/2"

