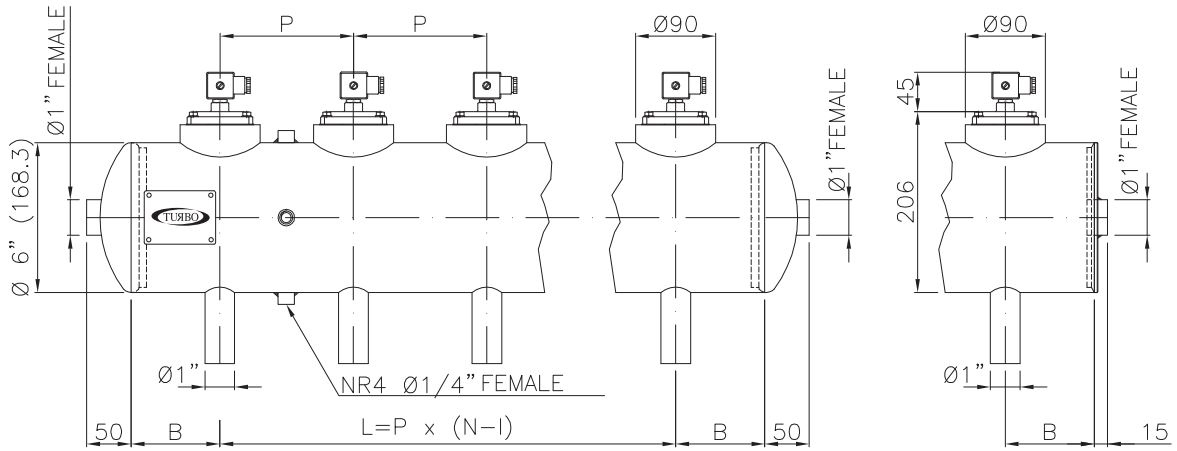


6" INTEGRAL Series dn 6" with valves 1"

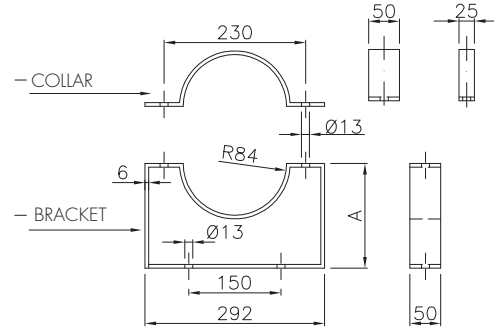


P Min. = 120 / B Min. = 90

DESCRIPTION	VALVE SM25/SP25
1 Coil + Din connector	BH10...V/50-60Hz
2 Screws + Washer	TE6x18+VROS6
3 Pole assembly	GPC 10
4 Cover	TCOP 25
5 Remote operated cover	TCOP25FM
6 Diaphragm	M25

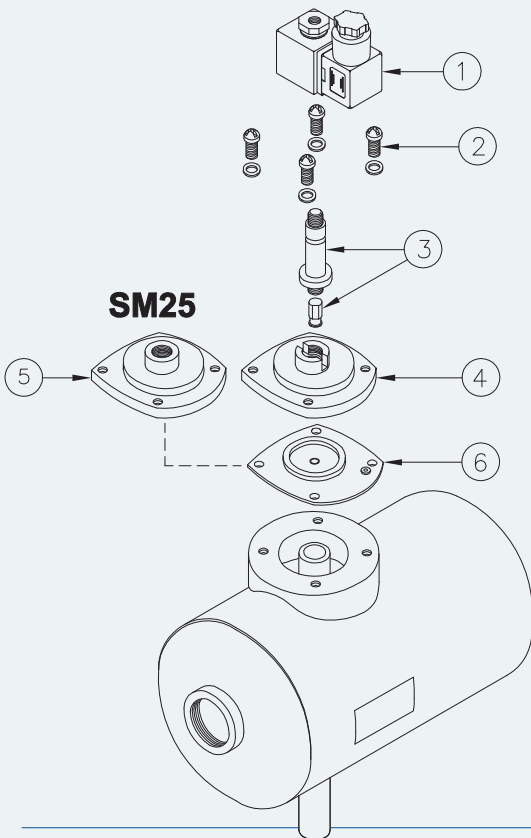
BRACKETS

- CS = COLLAR
 - SA = HIGH BRACKET
 - SM = MEDIUM BRACKET
 - SB = SMALL BRACKET
- A=200
A=170
A=109



SP25

SM25



- SHORT PLAIN TUBE = G1
- LONG PLAIN TUBE = G2
- THREADED LONG TUBE = G3
- THREADED SHORT TUBE = G4

