

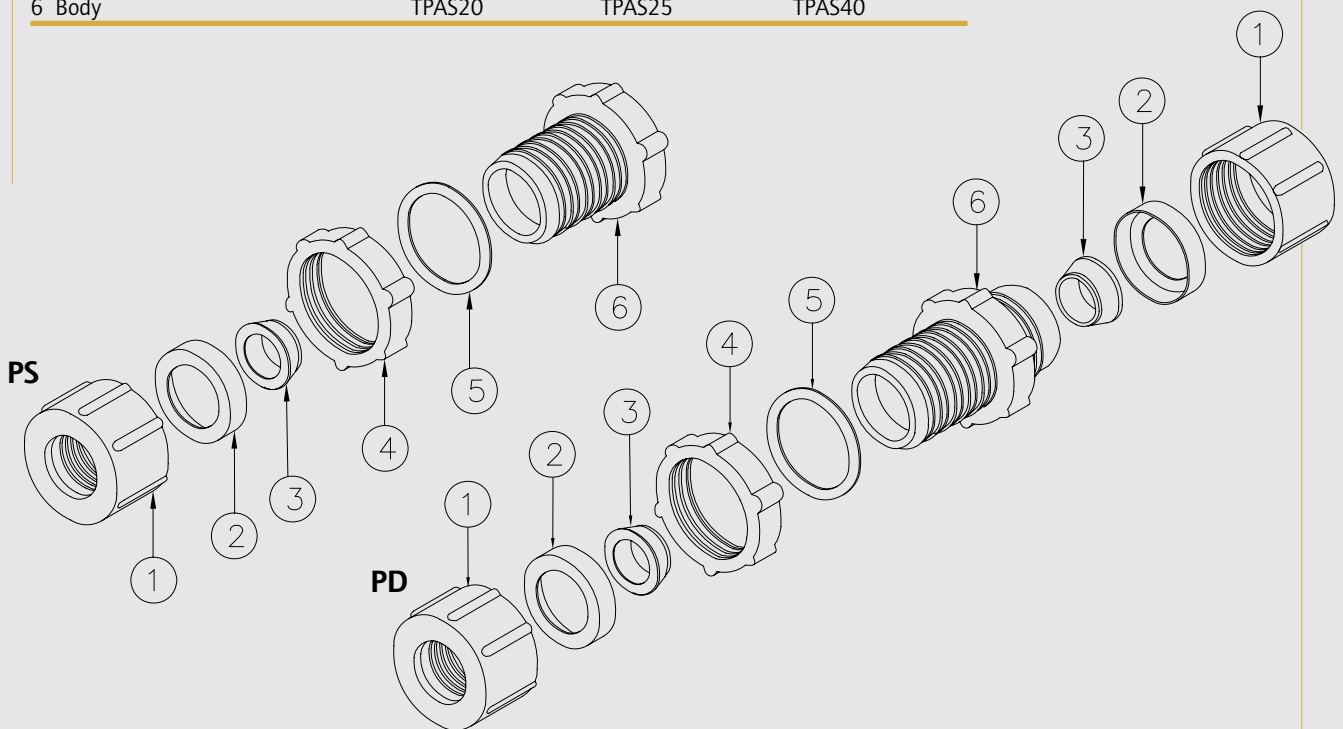
PS/PD Series



P series Bulkhead Connectores provide a simple and economic solution to installation by eliminating the need for welding or threaded pipe connections.

PD Series is a double ended connector for two-piece blow tube
PS Series is a single ended connector for one-piece blow tube

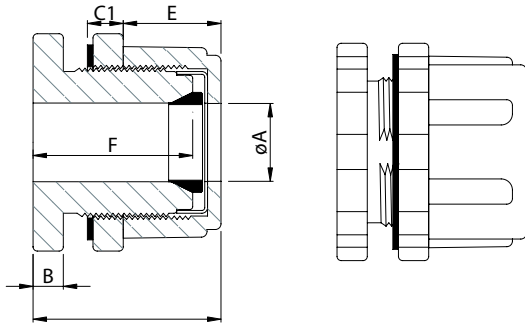
DESCRIPTIONS	PS20	PS25	PS40
1 Compression nut	TDAL20/25	TDAL25	TDAL40
2 Seal retainer	OG20	OG25	OG40
3 Seal	G CON20	G CON25	G CON40
4 Lock nut	TGBA25	TGBA25	TGBA40
5 Washer	TFIBRA70x54x1,5	TFIBRA70x54x1,5	TFIBRA90x54x1,5
6 Body	TPAS20	TPAS25	TPAS40



DESCRIPTION	PD20	PD25	PD40
1 Compression nut	TDAL20/25	TDAL25	TDAL40
2 Seal retainer	OG20	OG25	OG40
3 Seal	G CON20	G CON25	G CON40
4 Lock nut	TGBA25	TGBA25	TGBA40
5 Washer	TFIBRA70x54x1,5	TFIBRA70x54x1,5	TFIBRA90x54x1,5
6 Body	TPAS25	TPAS25	TPAS40

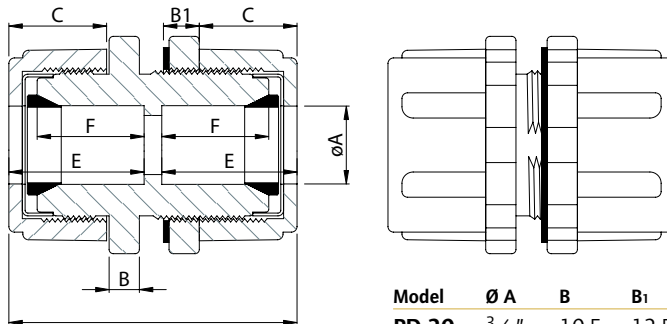
Dimensions **PS/PD** Series

PS



Model	Ø A	B	C1	D	E	F	Weight (Kg)
PS 20	3/4"	10,5	12,5	67	35	56	0,5
PS 25	1"	10,5	12,5	67	35	56	0,4
PS 40	1"1/2	14,5	16,5	92	40	79	0,8

PD



Model	Ø A	B	B1	C	D	E	F	Weight (Kg)
PD 20	3/4"	10,5	12,5	35	105	50	39	0,7
PD 25	1"	10,5	12,5	35	105	50	39	0,6
PD 40	1"1/2	14,5	16,5	40	140	67	55	1,2
PD 50	2"	14,3	19	48	139,5	66,2	53	1,35

**Body , lock nut,
compression nut**

Die cast aluminium

Seal

NBR -30°C / +100°C
Silicon -60°C / +200°C

Mounting hole

3/4" Wall hole ø min. 56
1" Wall hole ø min. 56
1"1/2 Wall hole ø min. 72
2"1/2 Wall hole ø min. 83

