

P Series PS/PD



TECHNICAL CHARACTERISTICS

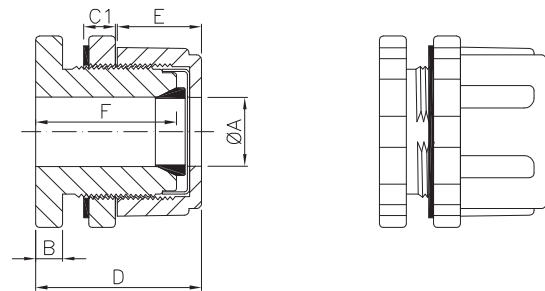
Body, lock nut, compression nut	Die cast aluminium
Seal	NBR -30°C / +100°C Silicon -60°C / +200°C

WALL MOUNTING HOLE

3/4"	Wall hole ø min. 56
1"	Wall hole ø min. 56
1 1/2"	Wall hole ø min. 72
2"	Wall hole ø min. 83

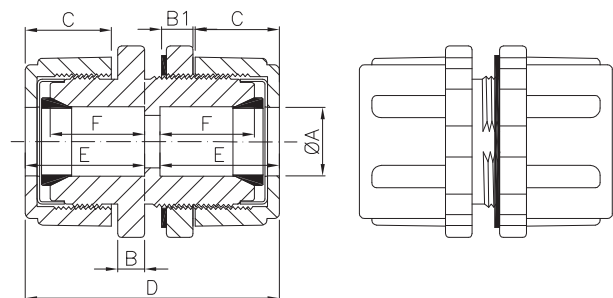
Type	ØA	B	C1	D	E	F	Weight (Kg)
PS20	3/4"	10,5	12,5	67	35	56	0,5
PS25	1"	10,5	12,5	67	35	56	0,4
PS40	1 1/2"	14,8	16,5	92	40	79	0,8

PS

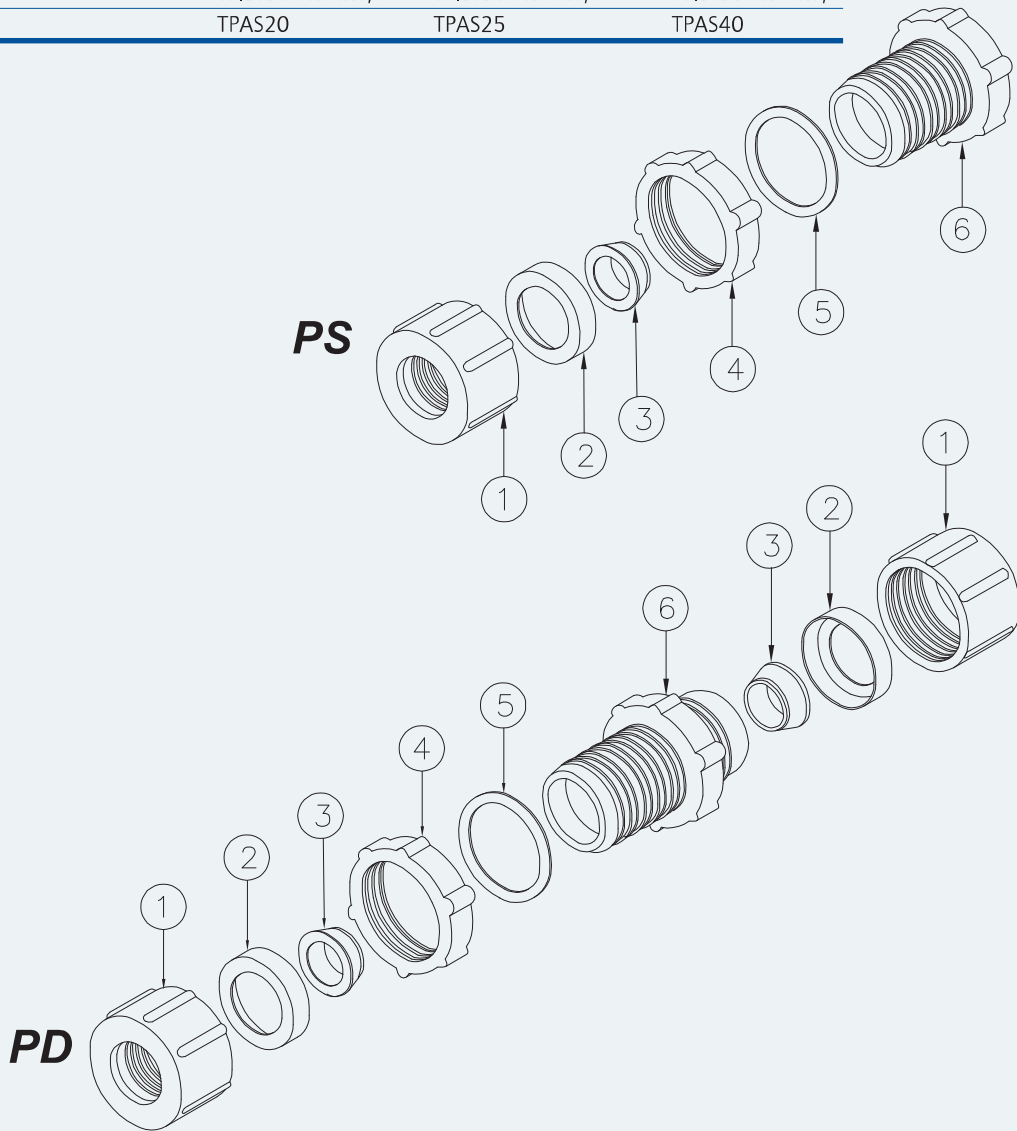


Type	ØA	B	B1	C	D	E	F	Weight (Kg)
PD20	3/4"	10,5	12,5	35	105	50	39	0,7
PD25	1"	10,5	12,5	35	105	50	39	0,6
PD40	1 1/2"	14,8	14,8	40	140	67	55	1,2
PD50	2"	14,3	19	48	139,5	66,2	53	1,35

PD



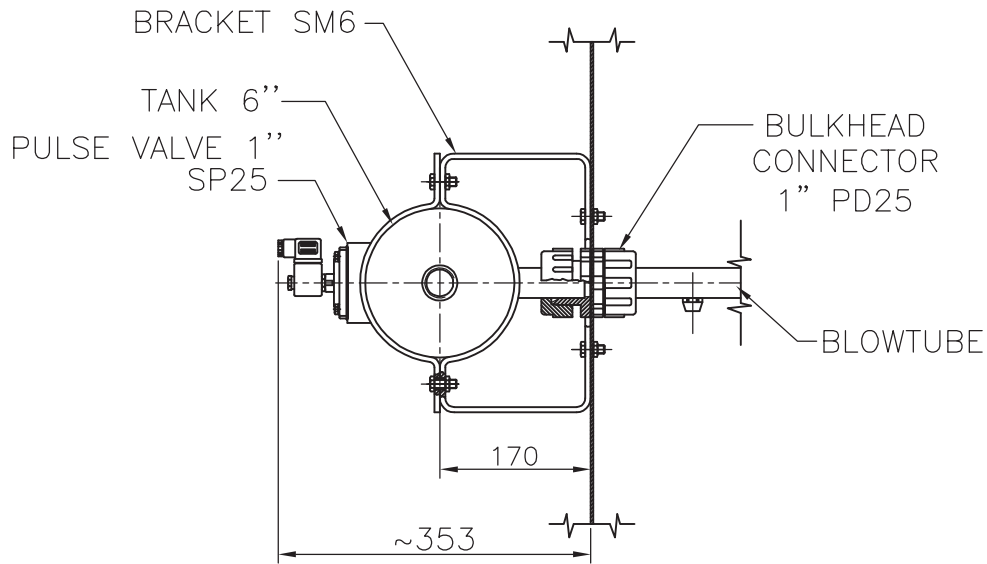
DESCRIPTION	PS20	PS25	PS40
1 Compression nut	TDAL20/25	TDAL25	TDAL40
2 Seal retainer	OG20	OG25	OG40
3 Seal	G CON20	G CON25	G CON40
4 Lock nut	TGBA25	TGBA25	TGBA40
5 Washer	TFIBRA70x54x1,5	TFIBRA70x54x1,5	TFIBRA90x70x1,5
6 Body	TPAS20	TPAS25	TPAS40



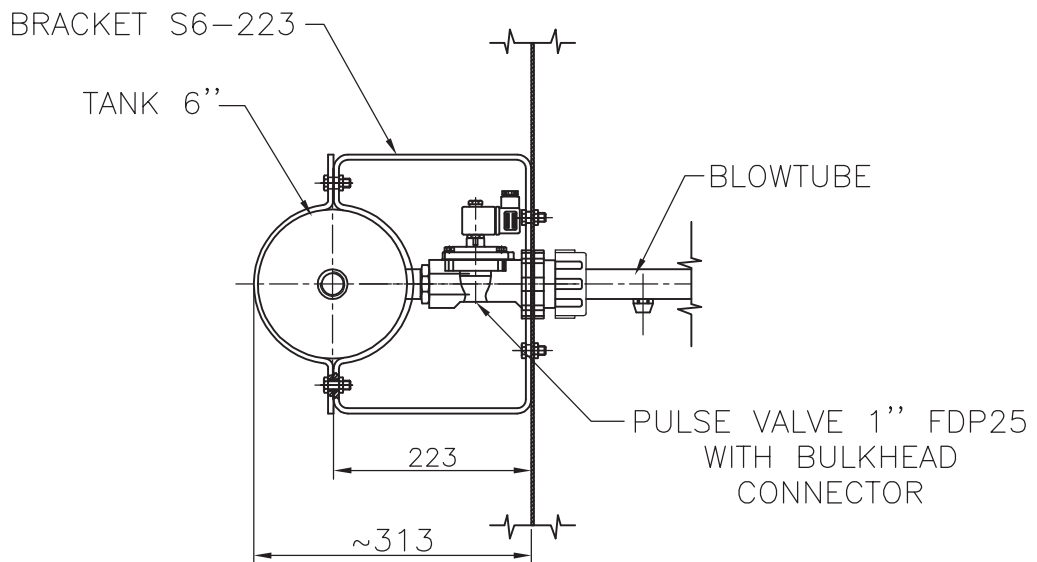
DESCRIPTION	PD20	PD25	PD40
1 Compression nut	TDAL20/25	TDAL25	TDAL40
2 Seal retainer	OG20	OG25	OG40
3 Seal	G CON20	G CON25	G CON40
4 Lock nut	TGBA25	TGBA25	TGBA40
5 Washer	TFIBRA70x54x1,5	TFIBRA70x54x1,5	TFIBRA90x70x1,5
6 Body	TPAS20	TPAS25	TPAS40

MOUNTING LAYOUT

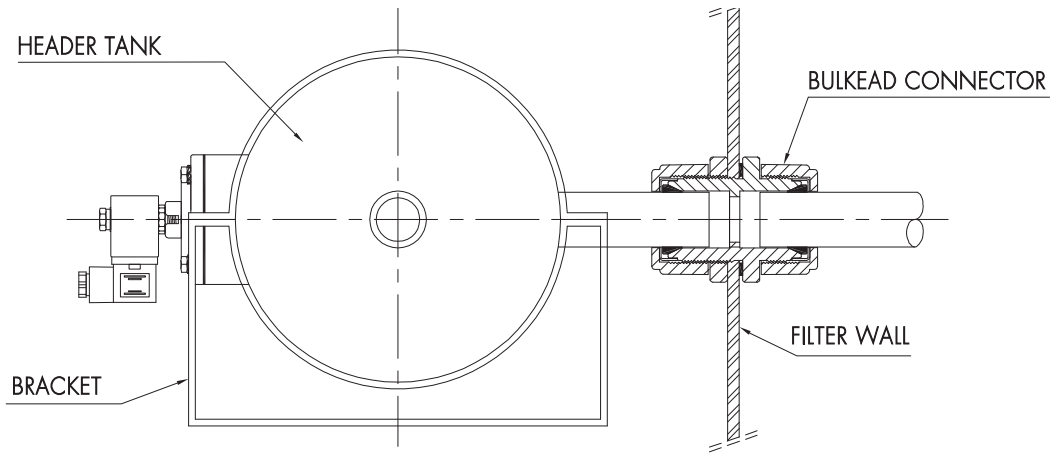
Series INTEGRAL



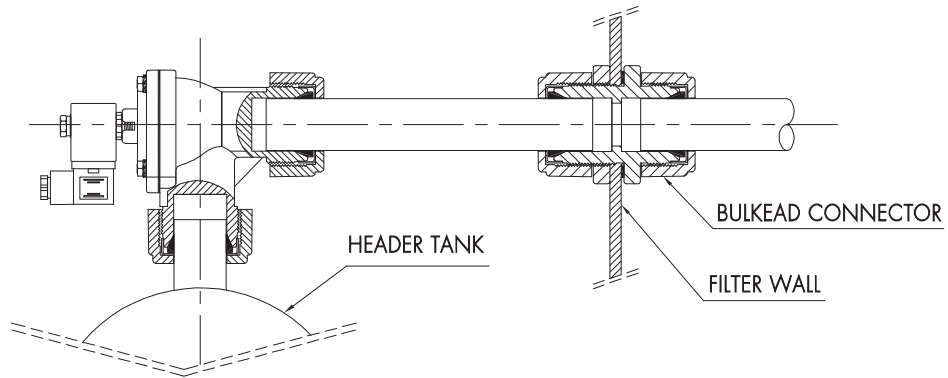
Turbo straight trough valve



Mounting layout with tank Series INTEGRAL



Mounting layout with two pieces blow tubes



Mounting layout with one piece blow tube

