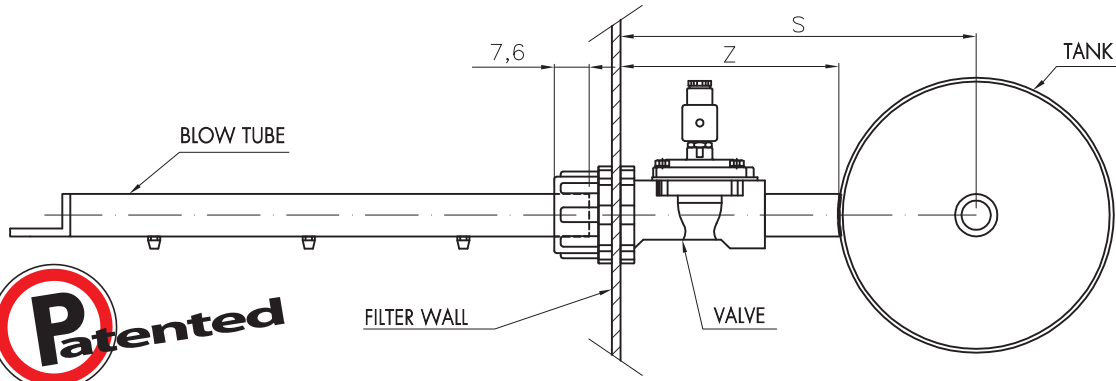


$L = Px(N-1)+2A+2B$ ; P = Pitch;

N = Quantity of stub pipes

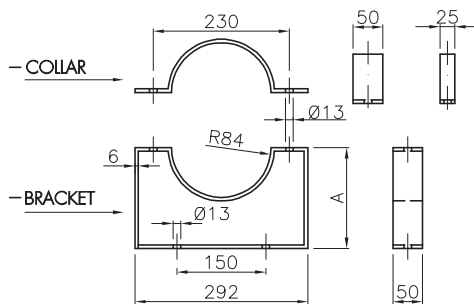
Ø	Ømm	A	B(min)	ØF	H	M	R	P(min)	Z(±)	S(±)
6"	168,3	50	40	1"	15	45	20	85	191	223
8"	219,1	70	40	1 1/2"	18	45	20	85	191	249



BRACKET TANK Ø6"

CS = COLLAR  
S6-223 = BRACKET

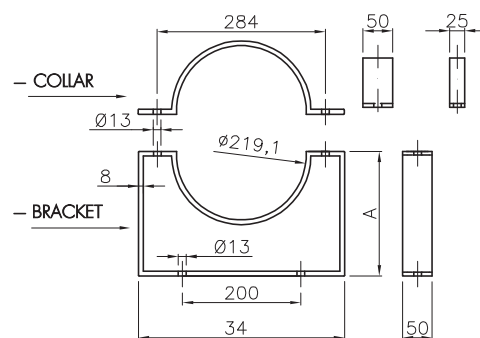
A = 223



BRACKET TANK Ø8"

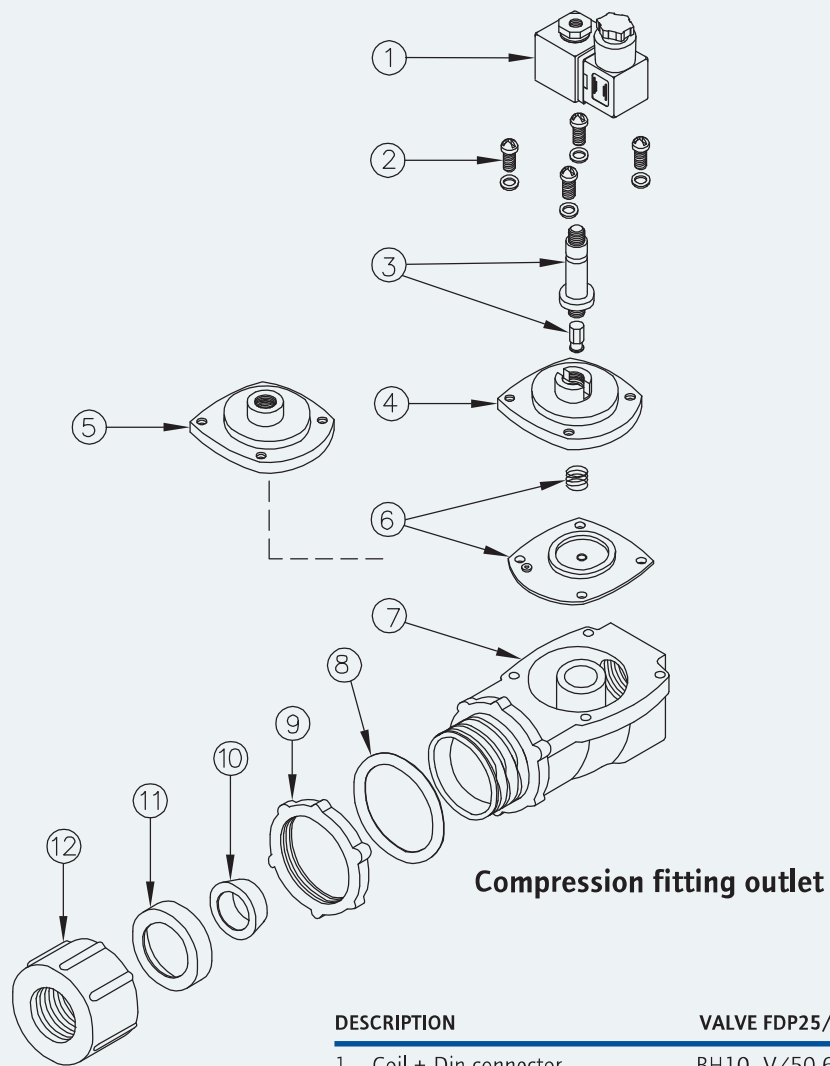
CS = COLLAR  
S8-249 = BRACKET

A = 249





## FDP/FDM



**DESCRIPTION**

**VALVE FDP25/FDM25**

1	Coil + Din connector	BH10...V/50-60Hz1
2	Screws + Washer	VTE6x18 + VROS6
3	Pole assembly	GPC10
4	Cover	TCOP25
5	Cover remote operated	TCOP 25FM
6	Diaphragm + Spring	M25 + TMOL 10G
7	Body	TCOR25FLG/IN-OUT
8	Washer	TROND 53x67x5/HO
9	Lock nut	TGBA25
10	Seal	GCON25
11	Seal retainer	OG25
12	Compression nut	TDAL25